



For help visit incyt by LX  
[incyt.io/support](https://incyt.io/support)

Copyright 2021 LX Corporation Pty Ltd. All rights reserved.

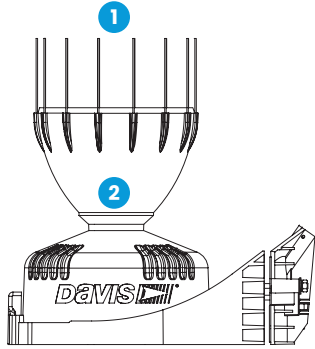


## Davis® Rain Gauge

### Quick Start Guide



## Product Overview



- 1 Rain Collector
- 2 Bird Spikes

## Preparation

- 1 Unpack contents and check the component list on the Davis<sup>®</sup> installation guide in this box to ensure the kit is complete.
- 2 Prepare installation equipment including spanners, a 48mm O.D. galvanised mounting pole, and the equipment required to install the pole. LX strongly recommends concreting the pole into a hole at least 200mm in diameter and 600mm deep.
- 3 Assemble the rain gauge as per the Davis<sup>®</sup> installation guide. It is important to remove the cable tie holding the tipping collector in position before use, located beneath the Rain Collector. Twist the Rain Collector anti-clockwise to remove it from the body.
- 4 Before installation, complete the setup and activation of the Blue Node using the “Blue Node Quick Start Guide”, found in the Blue Node box.



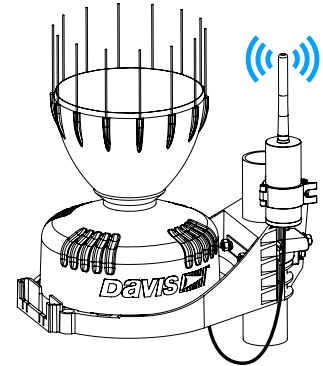
Protect cables from animals by purchasing sheathing from your local hardware store

## Installation and Mounting

- 5 When selecting an installation location, ensure that it is clear of obstructions and objects that may interfere with rainfall collection, such as trees or buildings.
- 6 Mount the assembled rain gauge approximately 50mm from the top of the pole.
- 7 Concrete the mounting pole into the hole, ensuring it is **sturdy**. Ensure the rain gauge is **level**, by using the spirit level located beneath the Rain Collector.  
*Accuracy of the rain gauge will be reduced if not mounted completely level on a sturdy pole.*
- 8 Attach bird spikes to the rim of the rain collector.
- 9 Mount the Blue Node to the top of the pole as pictured below, and attach the cable on the Rain Gauge to the Blue Node as per the Blue Node Quick Start Guide.
- 10 If possible, ensure that data is correctly reporting before leaving the site.



Occasionally remove debris from inside the rain collector to maintain accurate rainfall readings



Consider fencing around the rain gauge to protect from damage by animals.