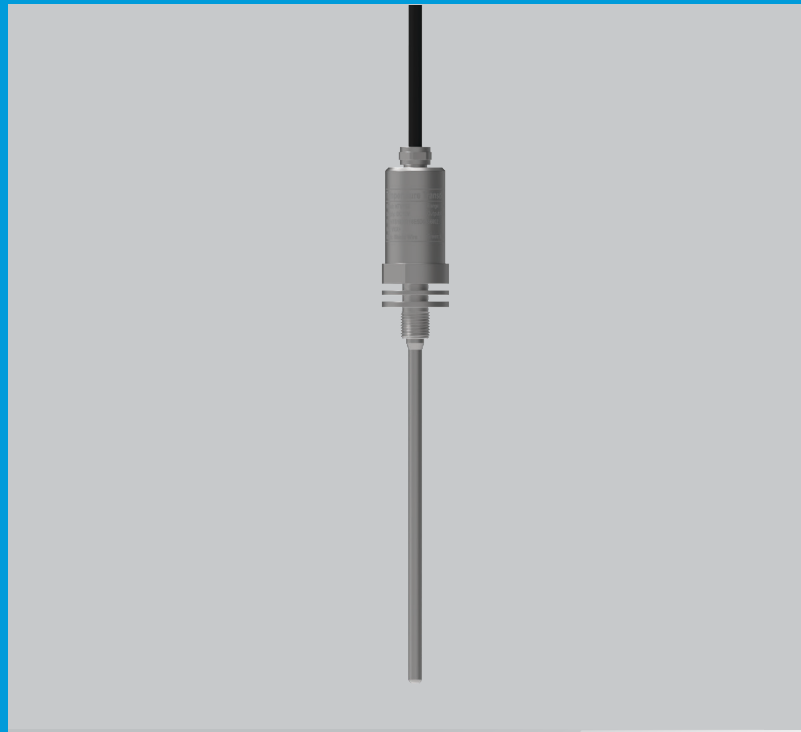




For help visit incyt by LX
incyt.io/support

Copyright 2021 LX Corporation Pty Ltd. All rights reserved.

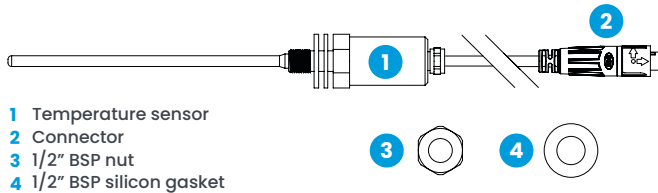


Temperature Sensor

Quick Start Guide



Product Overview



- 1 Temperature sensor
- 2 Connector
- 3 1/2" BSP nut
- 4 1/2" BSP silicon gasket

Preparation

- 1 Unpack the contents of the box.
- 2 This temperature sensor requires a LX Blue Node to function, available for purchase from incyt.io. Follow the instructions provided with the Blue Node to complete setup and activation.

Installation and Mounting

- 3 Choose a location near the liquid to be monitored. Install the Blue Node according to its 'Quick Start Guide'.
- 4 LX recommends installing the temperature sensor using either of the methods below:

Thermowell installation

Install a thermowell with a 1/2" BSP thread and insert the sensor, as pictured in *Figure 1.1*.

Figure 1.1

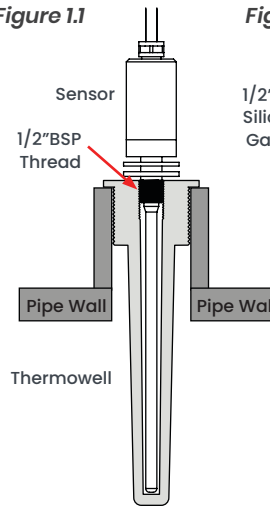
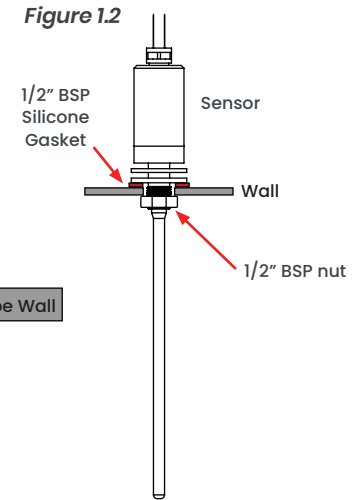


Figure 1.2



Flat panel installation

Drill a 21mm diameter hole in a flat panel. Install the supplied 1/2" BSP silicone gasket over the thread of the sensor, and insert the sensor into the hole, as pictured in *Figure 1.2*. Tighten the supplied 1/2" BSP nut onto the thread to secure the sensor in place.

- 5 Plug the connector on the temperature sensor into the Blue Node, according to the Blue Node 'Quick Start Guide'.
- 6 If possible, ensure that data is reporting correctly before leaving the site.