



Generic SDI-12 Sensor Retrofit Kit GSL10

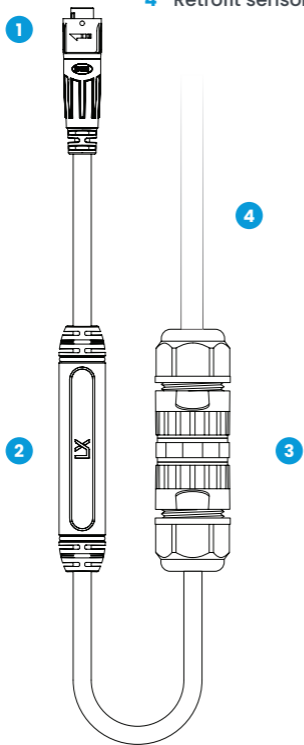
Quick Start Guide

INCYT




This retrofit kit is only compatible with INCYT supported sensors and probes. For a list of all supported sensors and probes, visit incyt.com.au

- 1 Cable connector
- 2 Sensor ID chip
- 3 Waterproof cable connector
- 4 Retrofit sensor cable



Retrofit Kit Registration

- 1 Open the INCYT App and register the retrofit kit. When instructed, scan the QR code on the side of the retail box.
- 2 In the INCYT App, select the settings tab within the device page, and choose your sensor type. 
- 3 Add the appropriate Application within the INCYT App, and link the retrofit kit.

Installation

- 4 Install the Blue Node according to its quick start guide, within reach of the selected sensor's cable.
- 5 Measure the selected sensor's cable diameter, and install the appropriate rubber grommet below into the End Cap on the connector:

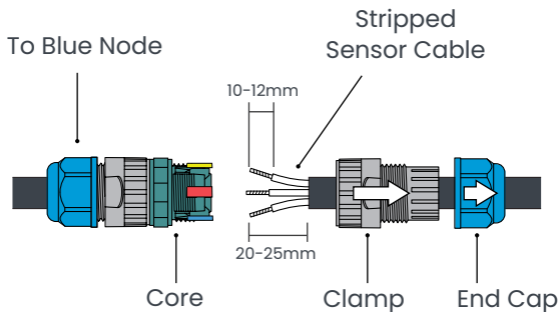


Suits cables
3.5-7 mm Ø



Suits cables
5-9mm Ø (Installed)

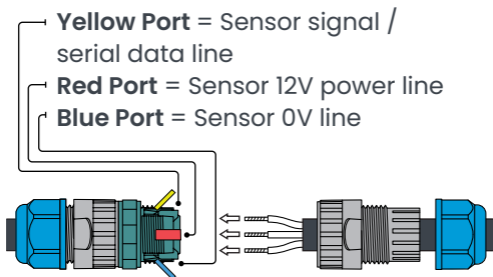
- 6 Cut the end off the selected sensor's cable, and clean the last 20cm with isopropyl alcohol, ensuring the jacket is free from dirt, grease and cuts.
- 7 Remove the last 20-25mm of the outer sheath of the sensor cable, exposing the three inner wires as per the diagram below. Remove 10-12mm of the outer jacket from each of the inner wires. Twist the exposed copper strands together on each wire.
- 8 Unscrew the clamp and end cap from the core of the waterproof cable connector, and slide them onto the stripped sensor cable in the below order.



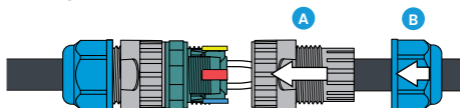
- 9 Lift the 3 x levers on the core, and insert each wire on the selected sensor into its corresponding terminal using the diagram below. Secure by firmly depressing the levers.

Visit the below link for specific sensor wiring diagrams:

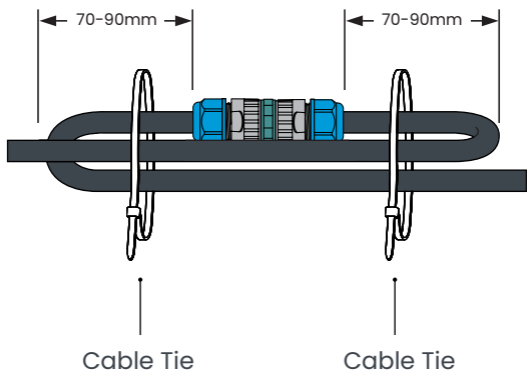
links.incyt.io/GSL10



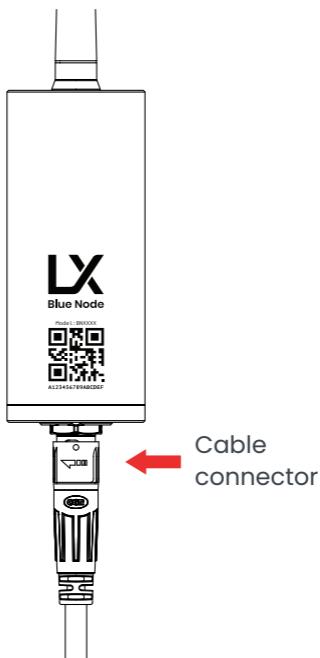
- 10 Firmly screw the grommet onto the core first (A), followed by the end cap (B).



- 11 To reduce the strain on the cable, configure the connector and cable as per the diagram below and secure with cable ties. Ensure to leave 70-90mm on either side of the connector as to not strain the cable connector glands.



- Secure the cable connector to the Blue Node. Open the INCYT application and ensure that data is reporting correctly on the dashboard.



INCYT

For help visit INCYT
incyt.io/support