



For help visit [incyt by LX](https://incyt.io/support)
incyt.io/support

Copyright 2021 LX Corporation Pty Ltd.
All rights reserved.



Solar Kit Replacement Battery
Quick Start Guide

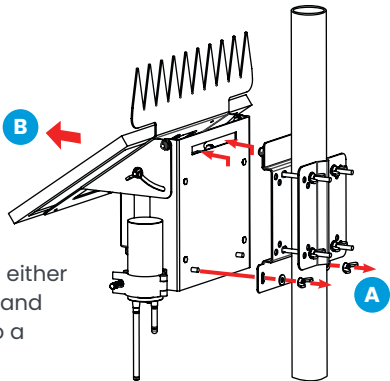


Installation

1 Dismount the Solar Kit from the mounting pole by removing the wingnuts at the rear of the bracket (A), and dismounting the unit as pictured below. (B)

2 Loosen the wingnuts on either side of the solar kit (C), and swing the solar panel to a vertical position (D).

3 Remove the battery cover by unscrewing the 4 X bolts (E), and cut the cable ties holding the battery in place (F).



4 Disconnect the wires from the battery terminal, and swap out the battery.

5 Re-connect terminals, ensuring **red** is connected to + on the battery, and **black** is connected to -. Secure with supplied cable ties.

6 Follow steps 1 to 3 in reverse to complete installation.

