

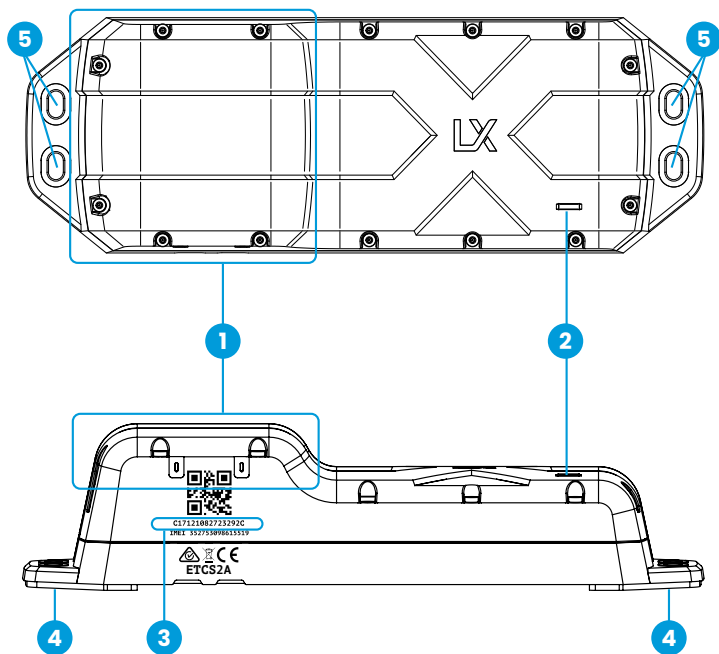


Andromeda

Quick Start Guide

INCYT

Product Overview



- 1 Satellite Antenna
- 2 LED
- 3 Device ID
- 4 Rubber Pads
- 5 \varnothing 5mm diameter mounting slots

Start Here

- 1 Download the Incyt app through the App Store or Google Play Store on your mobile device, or visit **dashboard.incyt.io** on your web browser.



- 2 Create a new account or login with your existing account.

Device Registration

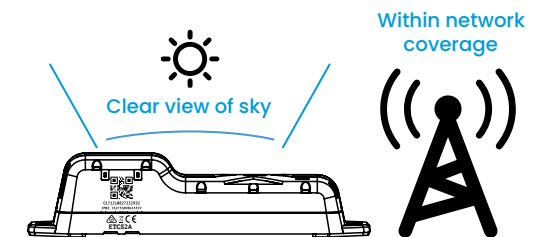
- 3 Register the device using the INCYT App. When instructed, scan the QR code on the box or the device.
- 4 Add the appropriate Application within the INCYT App, and link the device.

Device Activation

- 5 The device is delivered in a dormant state. Activate before use by following the steps below.

Ensure the device is placed:

- outside
- with an unobstructed view of the sky, and
- within cellular network coverage



- 6 Use the magnet included in the box to swipe over the LED on the device. The LED may start blinking white. Swipe a second time within 5 seconds. The LED will remain on for 5 seconds.

Note: If the LED turns ON for 3 seconds in a different colour, the device has already been activated.

- 7 The device will then attempt to connect to the Incyt platform for activation and configuration. This process, indicated by the LED blinking, may take several minutes. Once the device has successfully activated, the LED will remain white for 10 seconds and then turn off.

- 8 Refer to the **INCYT app** to ensure the device is connected.

Device Installation and Mounting

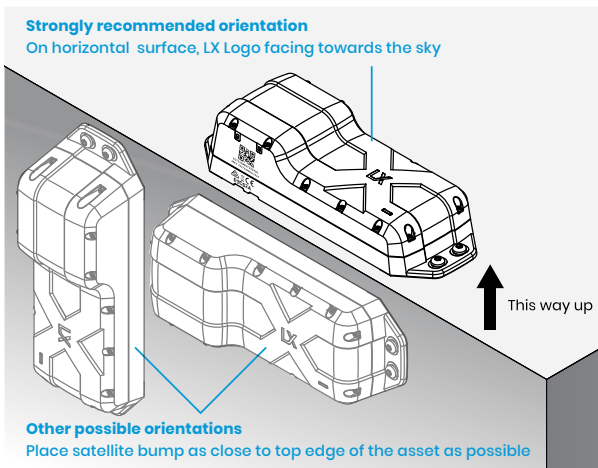
9 Select an appropriate location to mount your device. The most important factors to consider are:

- **Exposure to environment**

Although this device is rugged, protecting it from extreme temperatures, chemicals and dirt will extend its operational life. If using the device in an area where the sensor port may encounter liquid, purchase a protective weather shield from incyt.com.au

- **Orientation**

See the below diagram for the supported device orientations. Installing the device in a different orientation may dramatically reduce its life and performance.



- **Temperature**

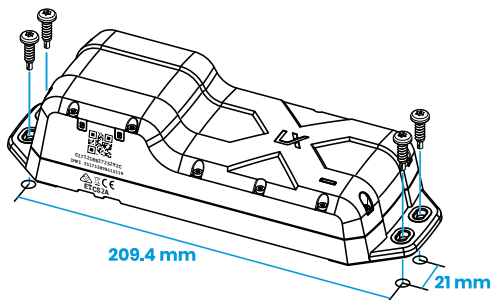
The recommended temperature range of this device is 5°C to 50°C. Use outside of this range may limit the device performance and functionality, and may reduce the battery and operational life of the device.

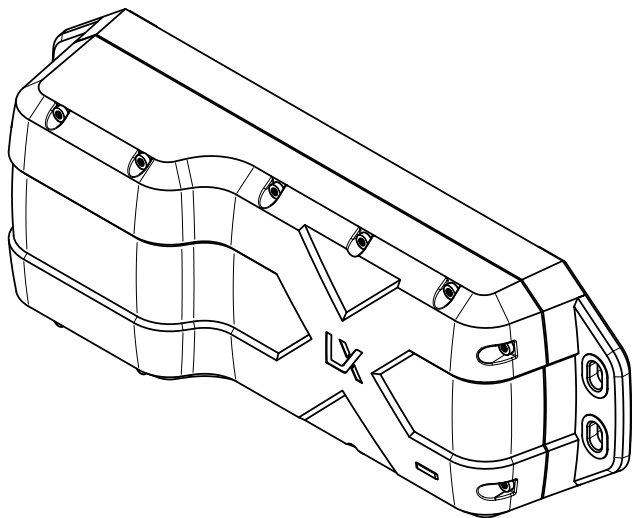
- **Wireless network**

This device uses multiple technologies for geo-location and communication with the INCYT platform. Installing the device in a location with unobstructed visibility to the sky/GPS satellites, and strong cellular connectivity, will ensure maximum performance and accuracy of the device.

- 10 Clean the mounting surface prior to installation by removing debris. The surface needs to be flat to avoid any stress on the enclosure after mounting. To mount the device, use 4 screws, bolts or rivets with shaft diameter smaller than \varnothing 5mm and head diameter between \varnothing 8mm and \varnothing 12mm.

Note: Be careful not to tighten the screws too hard to avoid damaging the device.





Safety and compliance

This device operates on licensed RF spectrum. Check that it is approved for operation in your country before operating it. Ensure installation complies with all relevant local regulations and requirements.

This device should be operated with a minimum separation distance of 20 cm (8 inches) between the equipment and a person's body.

Troubleshooting

Further installation, activation and troubleshooting information is available at incyt.io/support

INCYT

For help visit INCYT
incyt.com.au