

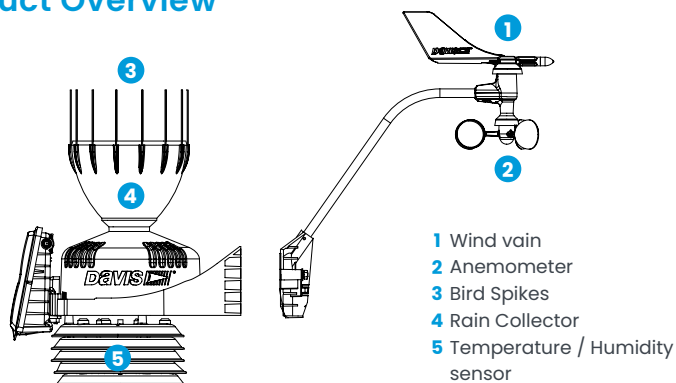


# Davis® Weather Station

Quick Start Guide

**INCYT**

## Product Overview



## Start Here

- 1 Open the INCYT App and register the sensor. When instructed, scan the QR code on the box.
- 2 Add the appropriate Application within the INCYT App, and link the sensor.



## Preparation

- 3 Unpack contents and check the component list on the Davis<sup>®</sup> installation guide in this box to ensure the kit is complete.
- 4 Prepare installation equipment including spanners, a 48mm O.D. galvanised mounting pole, and the equipment required to install the pole. Concreting the pole into a hole at least 200mm in diameter and 600mm deep is strongly recommended.
- 5 Assemble the weather station as per the Davis<sup>®</sup> installation guide. It is important to remove the cable tie holding the tipping collector in position before use, located beneath the Rain Collector. Twist the Rain Collector anti-clockwise to remove it from the body.
- 6 Before installation, complete the setup and activation of the Blue Node using the "Blue Node Quick Start Guide", found in the Blue Node box.



Protect cables from animals by purchasing sheathing from your local hardware store

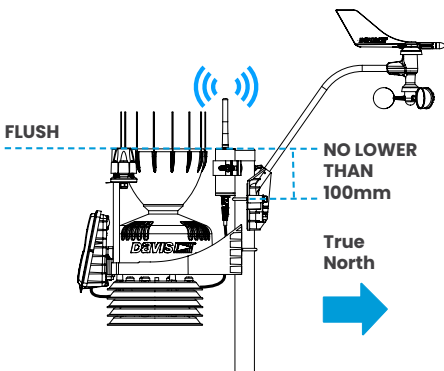


Occasionally remove debris from inside the rain bucket to maintain accurate rainfall readings

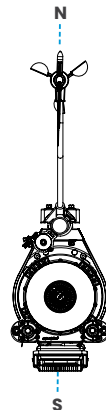
## Installation and Mounting

- 7 When selecting an installation location, ensure that it is clear of obstructions and objects that may interfere with rainfall collection and wind direction readings, such as trees or buildings.
- 8 Mount the Rain Collector so that it is flush to the top of the pole, ensuring it is south-facing (**FIGURE 1.1**).
- 9 Concrete the mounting pole into the hole, ensuring it is **sturdy**. Ensure the Weather Station is **level**, by using the spirit level located beneath the Rain Collector.  
*Accuracy of the weather station will be reduced if not mounted completely level on a sturdy pole. If the area is excessively windy, consider shortening the pole height to reduce shaking or swaying of the weather station.*
- 10 Mount wind vane as high as possible (U Bolt no lower than 100mm bellow top of mounting pole), so that the arm points True North (**FIGURE 1.1**). True North can be found using a GPS device or compass. Refer to the Davis' installation guide for more details.
- 11 Attach bird spikes to the rim of the rain collector.
- 12 Mount the Blue Node flush to the top of the pole (**FIGURE 1.1**) according to it's 'Quick Start Guide', and follow the instructions to plug the connector on the weather station into the Blue Node.
- 13 If possible, ensure that data is correctly reporting before leaving the site.

**FIGURE 1.1**



**FIGURE 1.2**



**INCYT**

For help visit INCYT  
**[incyt.com.au](http://incyt.com.au)**