

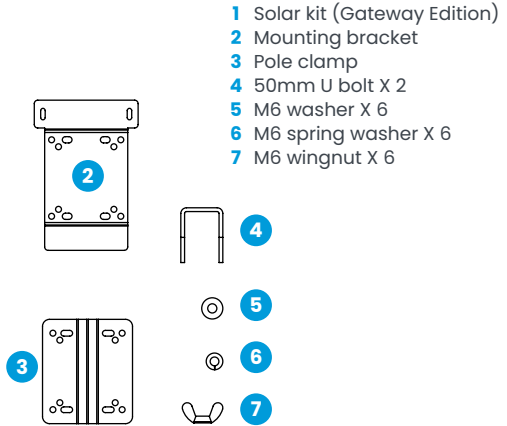
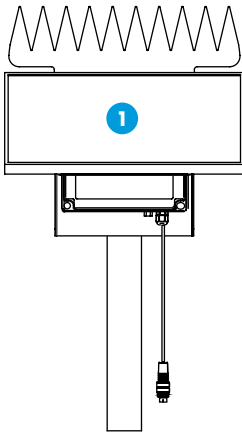
# Solar Kit

## Antares Gateway

Quick Start Guide

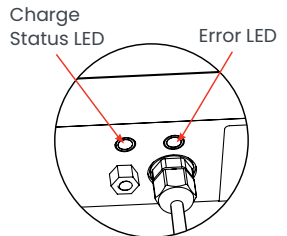
**INCYT**

## Product Overview

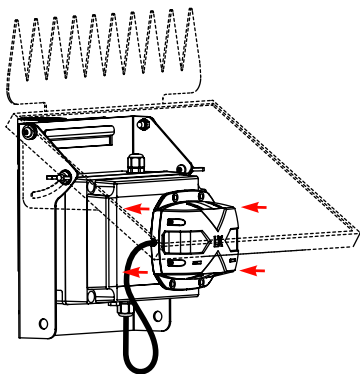


## Preparation

- 1 Unpack the contents of the box and check the component list above to ensure the kit is complete. Ensure you have an Antares Gateway device on hand, available for purchase from [incyt.com.au](http://incyt.com.au)
- 2 For installation, you will need a set of spanners, a 42-50mm galvanised pole to mount the Solar Kit, and any equipment required to securely install the pole.
- 3 Check that the Charge Status LED on the Solar Kit is flashing or a solid Green, and that the red Error LED is not active. If the Error LED is active, refer to the support link on the rear of this guide for more information.
- 4 Set up the Antares gateway according to its Quick Start Guide. Connect the Solar Kit power cable to the rear of the device.

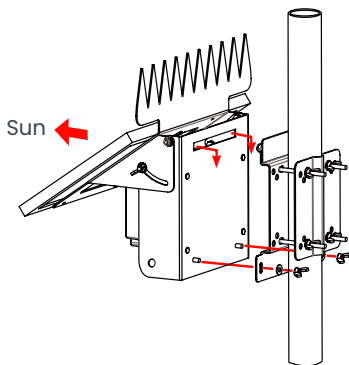
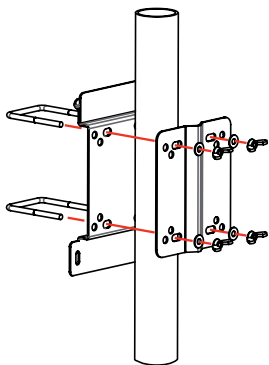


- 5 Peel off the adhesive protective paper on the rear of the Antares device, and mount it in the area where it will be monitoring. Alternatively, it can be mounted to the front of the electrical box cover on the Solar Kit as pictured on the right.



## Installation and Mounting

- 6 Attach the mounting bracket assembly to the pole as pictured below on the left, and secure U-Bolts with supplied washers and wingnuts.



- 7 Attach the Solar Kit to the mounting bracket and secure with the supplied washers and wingnuts as above on the right. Orient the solar panel to maximise sun exposure throughout the day.



Protect cables from animals by purchasing sheathing from your local hardware store

**INCYT**

For help visit INCYT  
**[incyt.com.au](http://incyt.com.au)**