

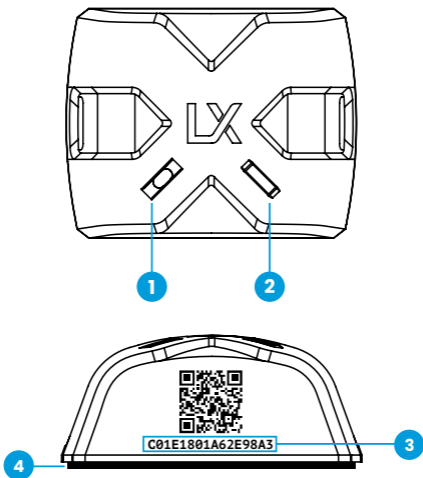


# Lyra

## Quick Start Guide

**INCYT**

## Product Overview



- 1 Environmental Sensing Port  
(Lyra Sense model only)
- 2 LED
- 3 Device ID
- 4 VHB Tape

## Start Here

- 1 Download the Incyt app through the App Store or Google Play Store on your mobile device, or visit **dashboard.incyt.io** on your web browser.



- 2 Create a new account or login with your existing account.

## Device Registration

- 3 Register the device using the INCYT App. When instructed, scan the QR code on the box or the device.
- 4 Add the appropriate Application within the INCYT App, and link the device.

## Device Activation

The device is delivered in a dormant state. Activate before use by completing the following steps:

- 5 Place the device in range of the Bluetooth equipped smartphone to be connected to. Ensure the Incyt app is installed, and Bluetooth is turned on.
- 6 Use the magnet included in the box to swipe over the LED on the device. The LED will start pulsing yellow.

Swipe a second time within 5 seconds. The LED will remain on for 3 second, indicating successful activation.

**Note:** If the LED turns ON for 1 second after the first magnet swipe, the device has already been activated.

## Device Installation and Mounting

- 7 Select an appropriated location to mount your device. The most important factors to consider are:

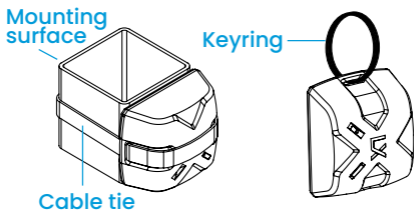
- **Exposure to Environment**

Although this device is rugged, protecting it from direct sunlight, rain, chemicals, and dirt will extend its operational life. The environmental sensing port needs to be kept clean, dry and unobstructed. If using the device outdoors, or in an area where the sensor port may encounter liquid, purchase a protective weather shield from [incyt.com.au](http://incyt.com.au)

- 8 Roughen smooth surfaces using a scouring pad or steel wool before application. Clean the mounting surface prior to installation by removing debris, and wiping using the alcohol wipe included.
- 9 Remove the VHB protective film on the underside of the device, and press firmly against the mounting surface for 30 seconds to maximise adhesion.

**Note:** VHB adhesive will reach maximum bonding strength after 24 hours.

- 10** For an alternate secure mounting method, mount the device using a cable tie to the desired fixture, or connect to keyring as pictured below:



### **Safety and compliance**

Ensure installation complies with all relevant local regulations and requirements.

This device should be operated with a minimum separation distance of 20 cm (8 inches) between the equipment and a person's body.

### **Troubleshooting**

Visit [incyt.io/support](https://incyt.io/support) for further installation, activation and trouble-shooting information.

- **Orientation**

Lyra may be mounted in any orientation, however ensure the sensor port is protected from liquid ingress. See '*Exposure to Environment*' on the following page for more information.

- **Temperature**

The recommended temperature range of this device is 5°C to 50°C. Use outside of this range may limit the device performance and functionality, and may reduce the battery and operational life of the device. We recommend you carefully consider these factors when installing.

- **Wireless network**

This device uses Bluetooth technology for geo-location and communication with the Incyt platform. Installing the device in a location with unobstructed visibility to the Bluetooth receiver, such as a smartphone or the LX Antares gateway, will ensure maximum performance and accuracy of the device.

**INCYT**

For help visit INCYT  
**[incyt.com.au](http://incyt.com.au)**