

# INCYT

## Weather Station



INCYT's Weather Station offers you accurate, real-time, hyper-local weather data.

Knowing the exact temperature on your farm, how much rainfall you've had, wind speed and direction, Delta-T, humidity dew point and more, is key to so many decision making processes. From knowing when you can spray, to calculating your fertiliser needs and organising your harvest contractors; weather data underpins all of these decisions and many more. INCYT's weather station is made by Davis Instruments and is designed to meet the guidelines of the World Meteorological Organisation.

- + Configure your dashboard the way you want to see your weather data
- + View hourly and long term forecast on your INCYT dashboard
- + UV Sensor and solar radiation sensor available as optional add-on
- + Configure low and high risk level alarms for different parameters.
- + Calibrate your devices in-app as required



Built to Last



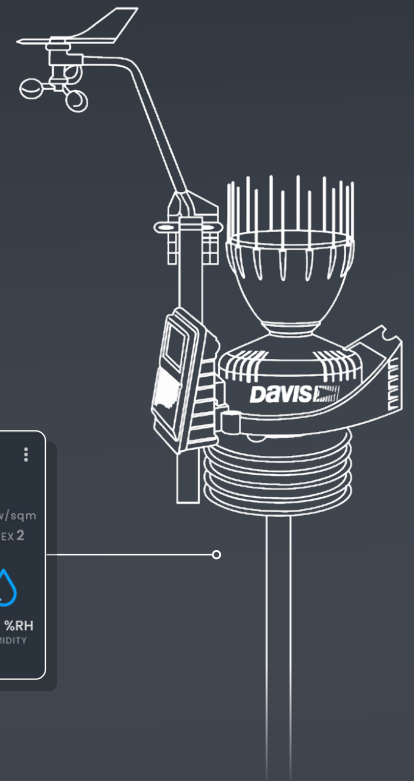
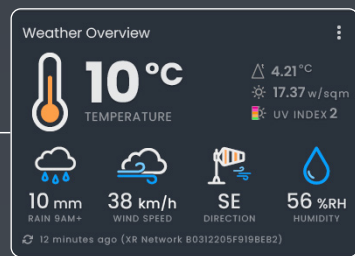
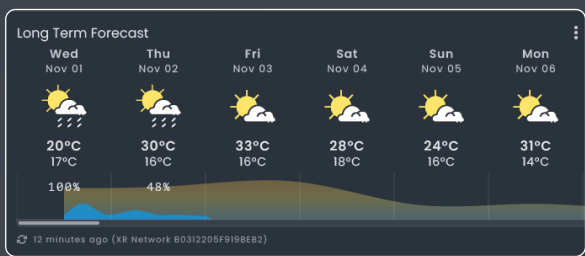
Plug 'n Play



Solar Powered



XR



[incyt.com.au](http://incyt.com.au)



## Local Weather Information

INCYT's weather station utilises INCYT's XR network, so you're not restricted to only using this in areas where you've got a mobile signal - as long as your weather station is within reach of a INCYT base station, you're able to use the weather station.

Weather is one of the most critical factor for farm performance, and keeping a close eye on local conditions is critical for so many tasks and decisions. With the combination of INCYT's XR network and Davis Instrument's weather station you know you're working with best-in-class equipment that will not let you down.

INCYT's weather data is available to you through the INCYT cockpit, which allows you to share this data with other users on your INCYT account. You are able to see ambient temperature, humidity, rainfall, dew

point, Delta T and wind speed, direction including wind gusts. You also have access to the hourly and long term forecast, based on VisualCrossing weather data.

Configure alarms for measurements such as rainfall, temperature, relative humidity, wind and delta T - with both high and low configurations for a 24 hour, 7 day, 30 day or 365 day period. Alarms can be sent via email, text or in-app notifications to yourself or anyone else you choose to send this alarm to.

### Specifications

<b>Temperature Range</b>	-40 to 65°C
<b>Power source</b>	INCYT Blue Node
<b>Connectivity</b>	XR Network
<b>Rainfall Accuracy</b>	0.2mm
<b>Rain Rate Accuracy</b>	±5% for rain rates up to 250 mm/hr
<b>Wind Speed Accuracy</b>	±5% for wind speed up to 322km/hr

