



For help visit incyt by LX  
[incyt.io/support](https://incyt.io/support)

Copyright 2020 LX Corporation Pty Ltd.  
All rights reserved.

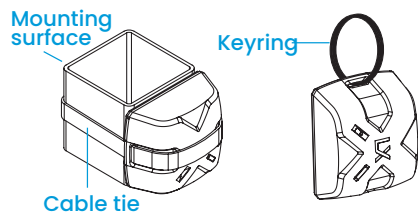
Apple and the Apple Logo are trademarks of Apple Inc., registered in the U.S. and other countries. App Store is a service mark of Apple Inc., registered in the U.S. and other countries.

Google Play and the Google Play logo are trademarks of Google Inc.

- 9 Remove the VHB protective film on the underside of the device, and press firmly against the mounting surface for 30 seconds to maximise adhesion.

**Note:** VHB adhesive will reach maximum bonding strength after 24 hours.

- 10 For an alternate secure mounting method, mount the device using a cable tie to the desired fixture, or connect to keyring as pictured below:



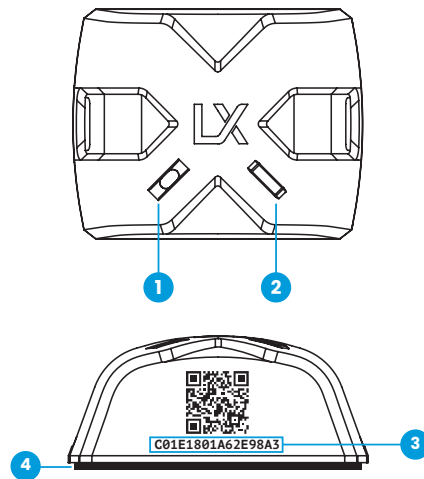
#### Safety and compliance

Ensure installation complies with all relevant local regulations and requirements.

#### Troubleshooting

Visit [incyt.io/support](https://incyt.io/support) for further installation, activation and trouble-shooting information.

#### Product Overview



- 1 Environmental Sensing Port (Lyra Sense model only)
- 2 LED
- 3 Device ID
- 4 VHB Tape



Lyra  
Quick Start Guide



## Getting Started

- 1 Download the Incyt by LX app on the iOS AppStore, or Google Play store on your mobile device.



- 2 Create a new account or login with your existing account.
- 3 Follow instructions in the app to pair your device.
- 4 Follow the instructions on the next page to activate and mount your device.

## Device Activation

The device is delivered in a dormant state. Activate before use by completing the following steps:

- 5 Place the device in range of the Bluetooth equipped smartphone to be connected to. Ensure the Incyt app is installed, and Bluetooth is turned on.
- 6 Use the magnet included in the box to swipe over the LED on the device. The LED will start pulsing yellow.

Swipe a second time within 5 seconds. The LED will remain on for 3 second, indicating successful activation.

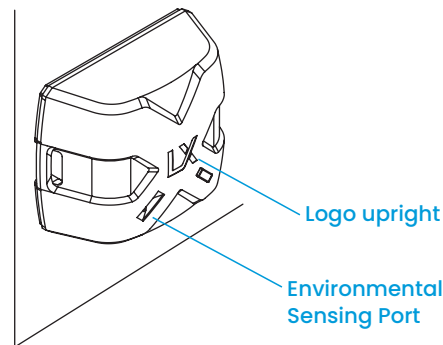
**Note:** If the LED turns ON for 1 second after the first magnet swipe, the device has already been activated.

## Device Installation and Mounting

- 7 Select an appropriate location to mount your device. The most important factors to consider are:

- **Orientation**

Lyra may be mounted in any orientation, however Lyra Sense must be mounted on a vertical surface to avoid sensor port blockage as below:



- **Temperature**

The recommended temperature range of this device is 5°C to 50°C. Use outside of this range may limit the device performance and functionality, and may reduce the battery and operational life of

the device. We recommend you carefully consider these factors when installing.

- **Wireless network**

This device uses Bluetooth technology for geo-location and communication with the Incyt platform. Installing the device in a location with unobstructed visibility to the Bluetooth receiver, such as a smartphone or the LX Antares gateway, will ensure maximum performance and accuracy of the device.

- **Exposure to Environment**

Although this device is rugged, protecting it from direct sunlight, rain, chemicals, and dirt will extend its operational life. The environmental sensing port needs to be kept clean, dry and unobstructed to provide accurate sensor readings.

- 8 Roughen smooth surfaces using a scouring pad or steel wool before application. Clean the mounting surface prior to installation by removing debris, and wiping using the alcohol wipe included.