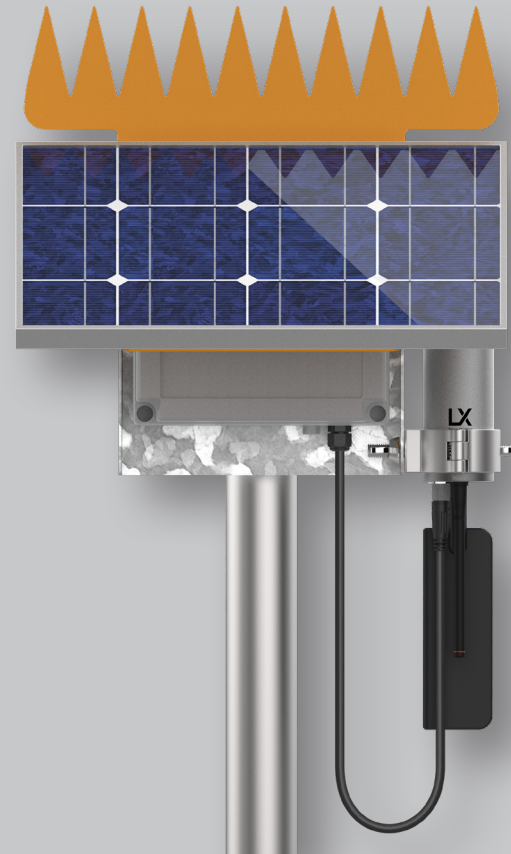


For help visit incyt by LX
incyt.io/support

Copyright 2021 LX Corporation Pty Ltd. All rights reserved.



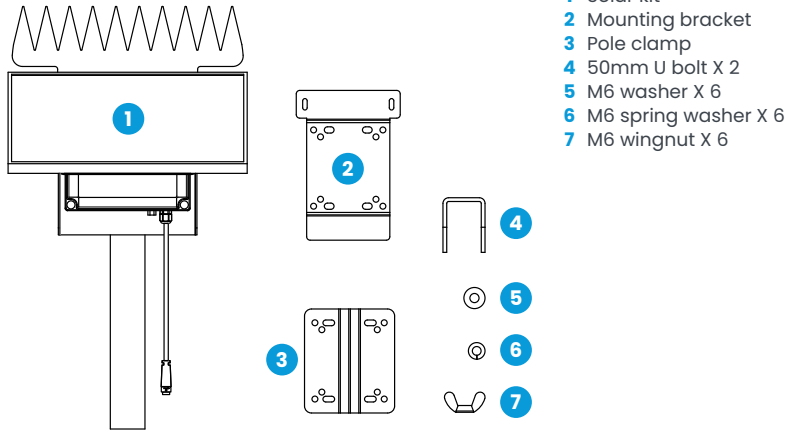
Solar Kit

Base Station / Power Junction

Quick Start Guide



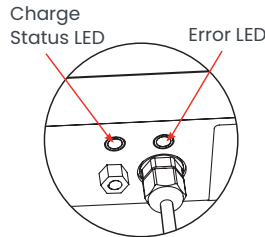
Product Overview



Preparation

This Solar Kit can be used to power an LX Base Station, or a sensor through an LX Power Junction, available for purchase from incyt.io

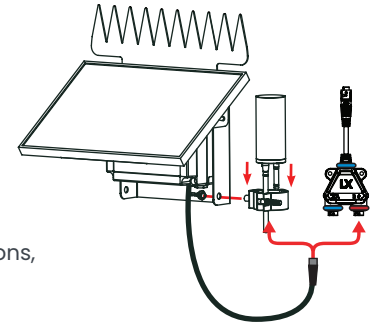
- 1 Unpack the contents of the box and check the component list above to ensure the kit is complete.
- 2 For installation, you will need a set of spanners, a 42-50mm galvanised pole to mount the Solar Kit, and any equipment required to securely install the pole.
- 3 Check that the Charge Status LED on the Solar Kit is flashing or a solid Green, and that the red Error LED is not active. If the Error LED is active, refer to the support link on the rear of this guide for more information.



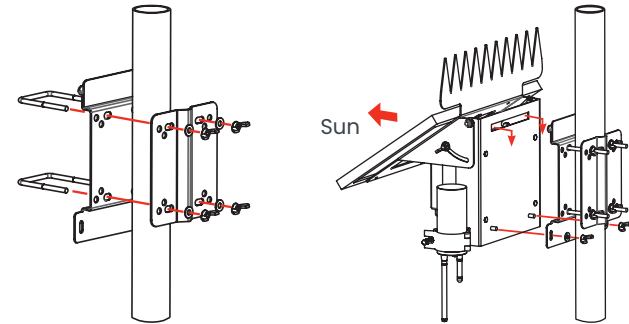
- 4 Set up the LX Base Station or LX Power Junction according to their Quick Start Guide, and connect to the Solar Kit as pictured on the right.

Installation and Mounting

- 5 Select a suitable location to install the Solar Kit. For Base Station installations, note that mounting on a hill or raised structure at least 5 metres away from any objects will significantly increase the range.
- 6 Attach the mounting bracket assembly to the pole as pictured below on the left, and secure U-Bolts with supplied washers and wingnuts.



IMPORTANT!
Base Station
Antennas must point
towards the ground!



- 7 Attach the Solar Kit to the mounting bracket and secure with the supplied washers and wingnuts as above on the right. Orient the solar panel to maximise sun exposure throughout the day.



Protect cables from animals by purchasing sheathing from your local hardware store